

Cable Termination

Cord End Twin Wire Terminals

• Materials:

Conductor: Copper.
Insulation: Nylon.
Plating: Tin.

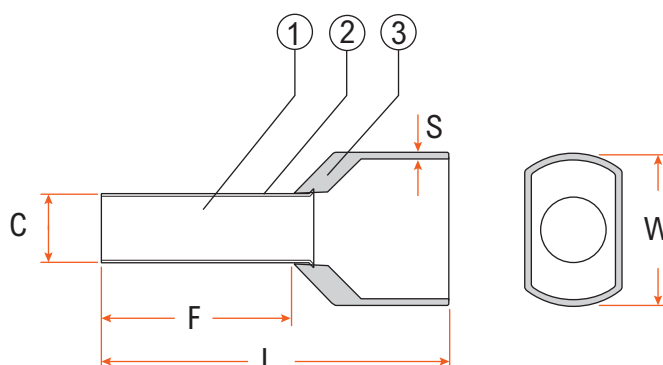


• Operating Temperature:

-40°C to +105°C.

• Features:

Max. voltage rating: 600V.
Flared barrel for easy wire insertion.



Material

- ① Copper
- ② Tin
- ③ Nylon

Item No.	Colour	Wire Range (mm ²)	Dimensions (mm)					
			d1	W	L	F	S	S
TWIN0.5	White	0.5	1.5	4.9	15.0	8.0	2.8	0.3
TWIN0.75	Grey	0.8	1.8	5.2	15.0	8.0	2.9	0.3
TWIN1.0	Red	1.0	2.0	5.3	15.0	8.0	3.5	0.3
TWIN1.5	Black	1.5	2.3	6.5	16.0	8.0	3.9	0.4
TWIN2.5	Blue	2.5	2.9	8.0	18.5	10.0	4.6	0.4
TWIN4.0	Grey	4.0	3.8	8.8	23.0	12.0	4.9	0.5
TWIN6.0	Yellow	6.0	4.9	9.3	26.0	14.0	6.3	0.5
TWIN10.0	Red	10.0	6.5	12.8	26.5	14.0	7.9	0.5
TWIN16.0	Blue	16.0	8.3	18.5	30.5	14.0	11.6	0.6